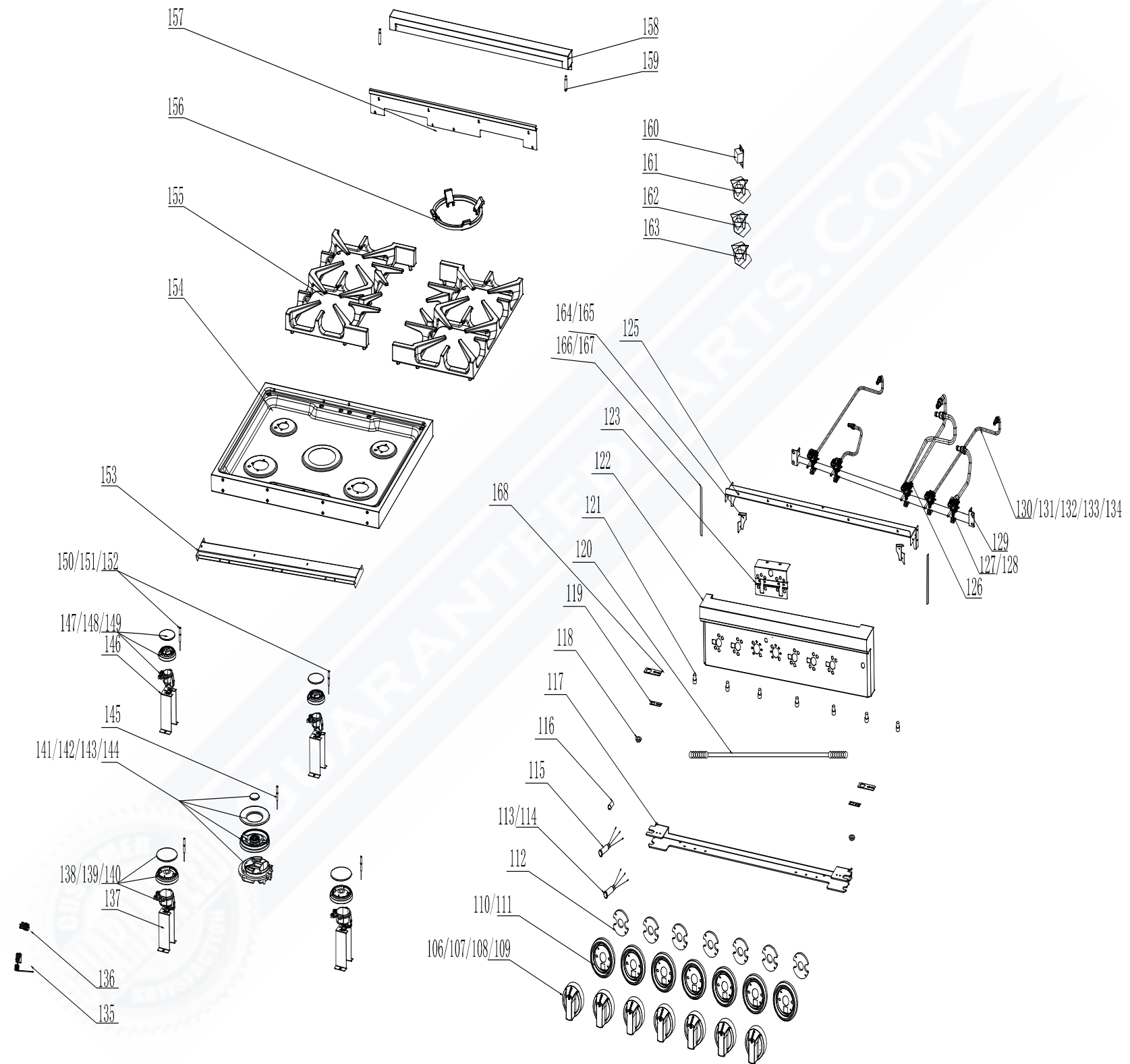
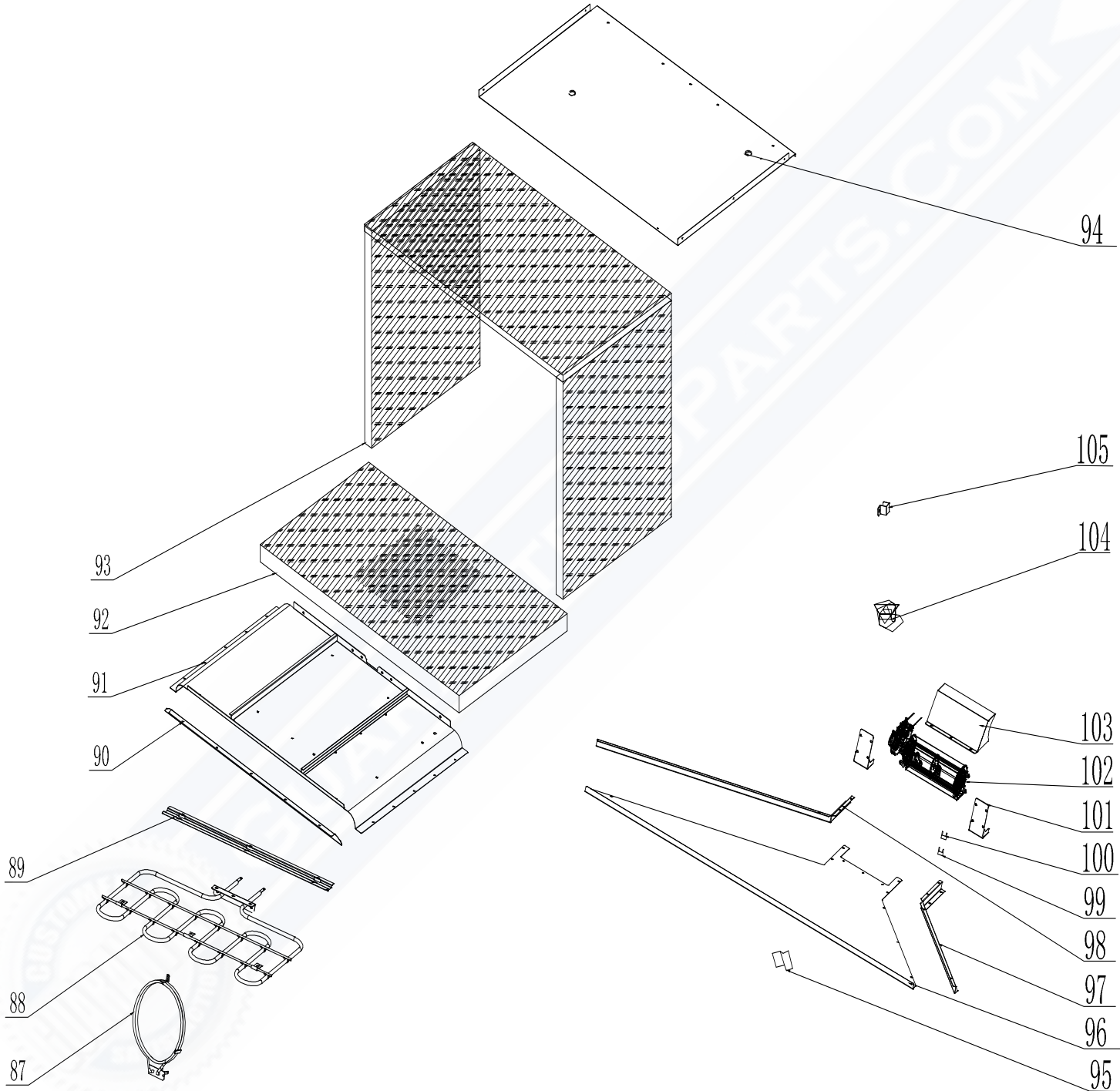


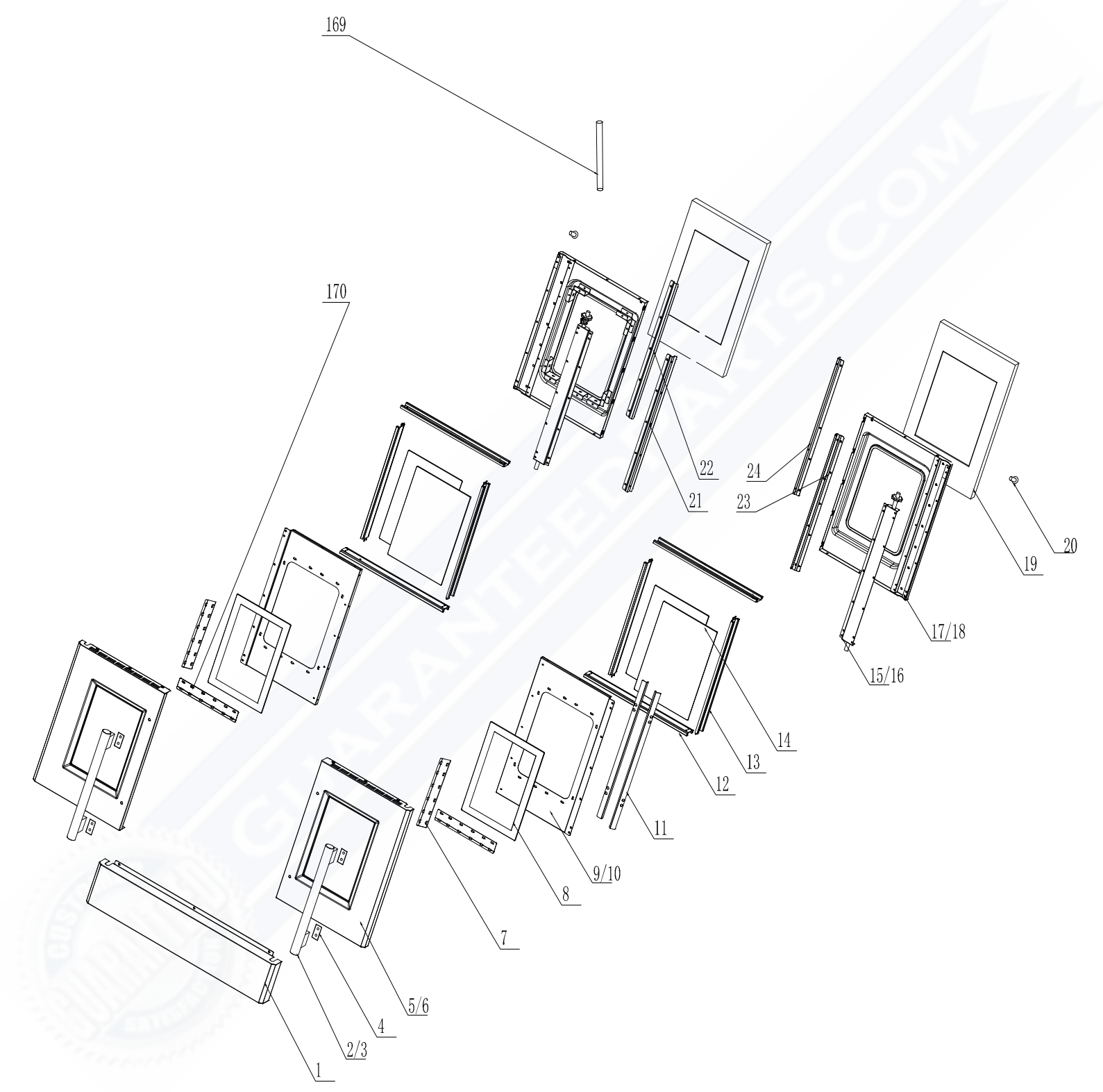
cooktop



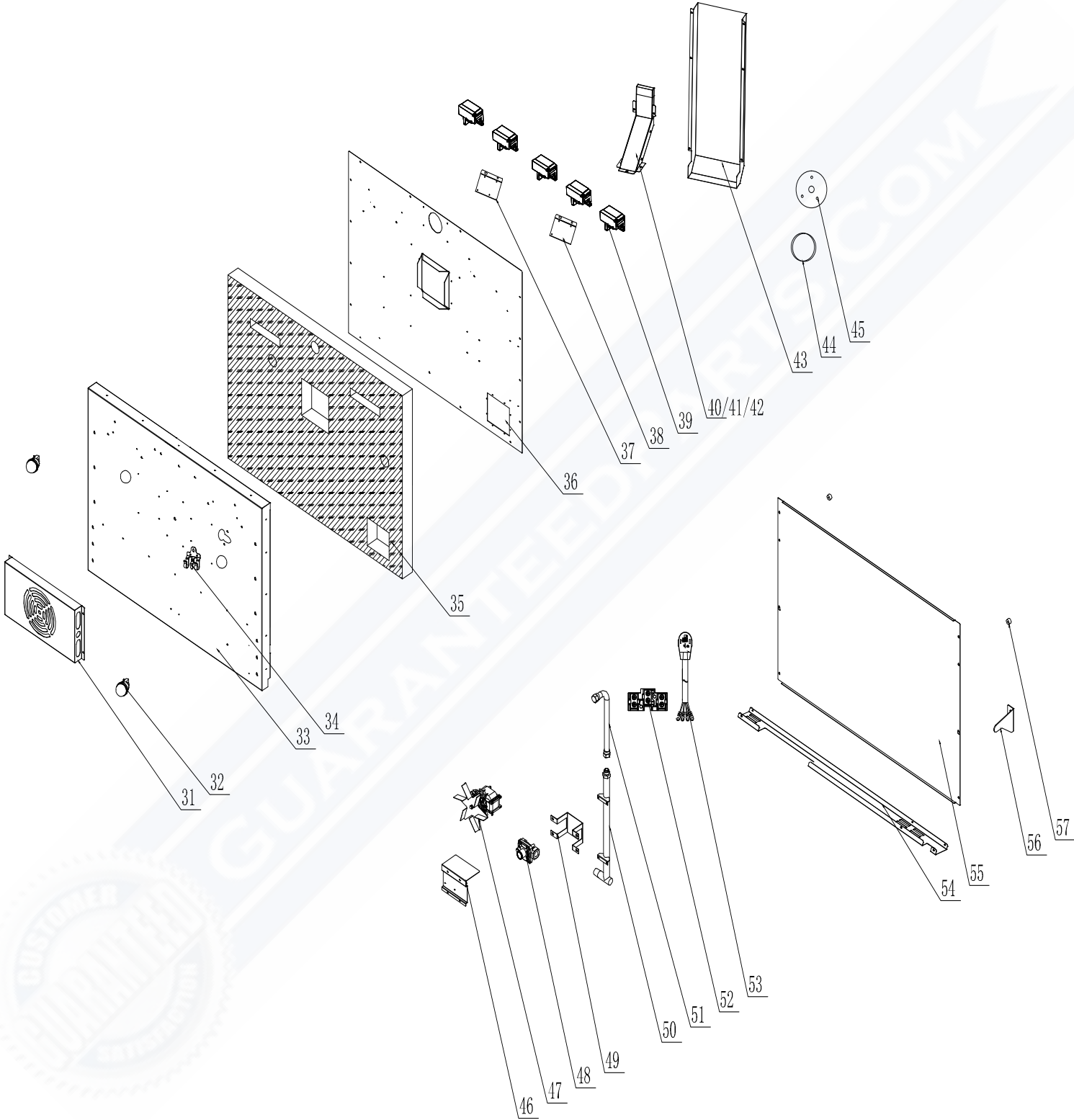
cavity top



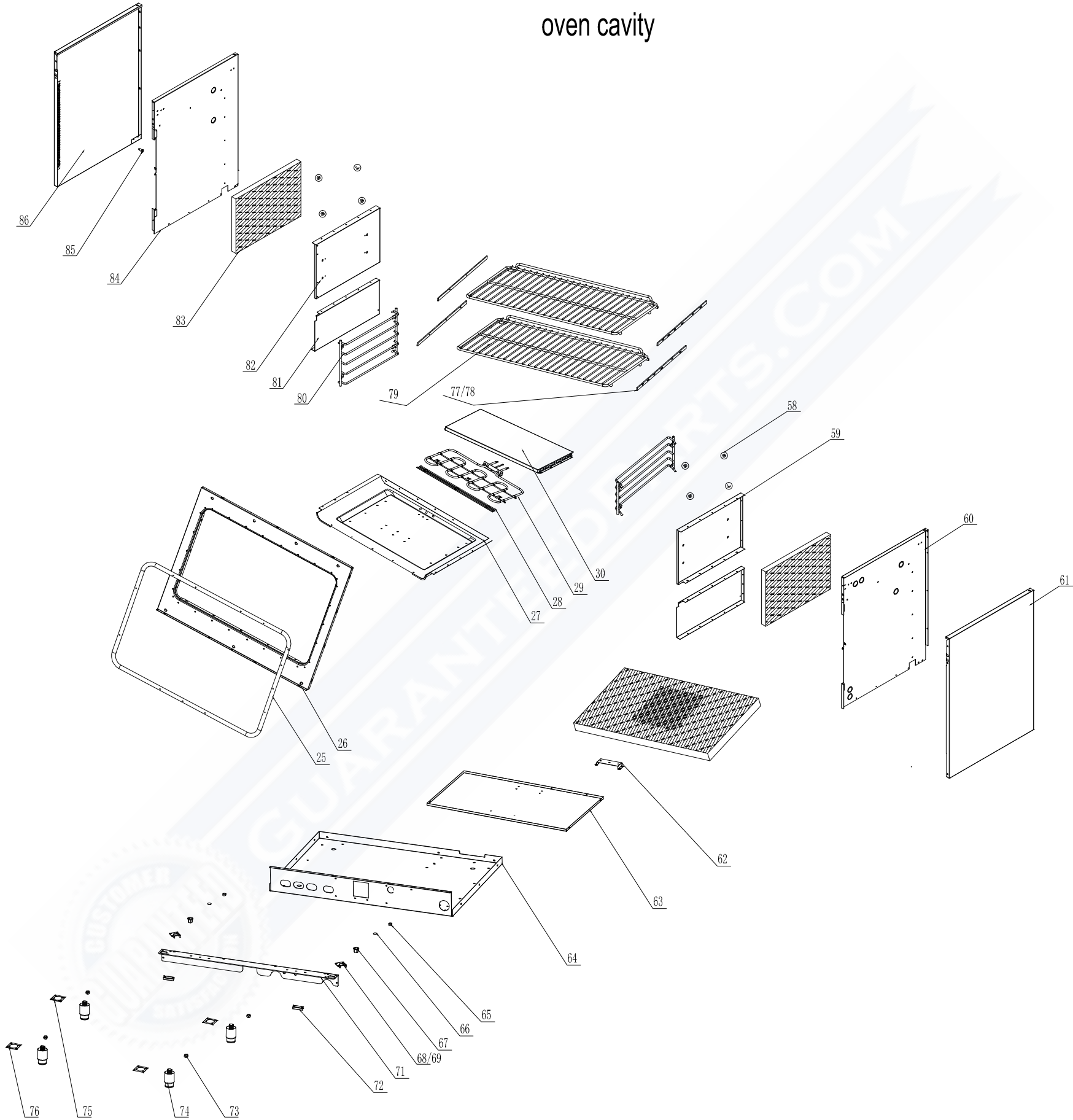
door



cavity back



oven cavity



FFSGS6325-30

No.	Material Name	Material Code	Qty.
1	Drawer panel G30R45	G30R45-120100	1
2	Handle left G18R43	G18R43-101900	1
3	Handle right G18R43	G18R43-101901	1
4	handle rubber mat G18R43	G18R43-100700	4
5	door outside plate-left G30R43	G30R43-100402	1
6	door outside plate-right G30R43	G30R43-100403	1
7	door outer glass black pressing plate G30R43	G30R43-101400-02	4
8	door outer glass G30R43	G30R43-101100	2
9	door insulation plate left G30R43	G30R43-100800	1
10	door insulation plate right G30R43	G30R43-100801	1
11	Handle strengthen bar G36R43	G36R43-100700	2
12	up/down frame body for door inside glass	G30R43-101500	4
13	left/right frame body for door inside glass	G36X03-101600	4
14	inner door glass G30R43	G30R43-100500	4
15	axis of rotation component left	G36R43-101300-Z	1
16	axis of rotation component right	G36R43-101301-Z	1
17	Door frame left G30R43	G30R43-100602-Z	1
18	Door frame right G30R43	G30R43-100603-Z	1
19	glass wool for door G30R43	G30R43-103500	2
20	drawer rubber mat G20A01	G20A01-120900	2
21	seal support for left door G30R44	G30R44-101000	1
22	supported seal part for left door G36R43	G36R43-102000	1
23	seal part for right door G36R43	G36R43-101100	1
24	supported seal part for right door G30R44	G30R44-102100	1
25	door seal bar G48R03	G48R03-071200	1
26	front panel G30R43	G30R43-070100-Z	1
27	cavity down plate C30X03	C30X03-070704-Z	1
28	heat element cushion plate-1 C30X04	C30X04-080600	1
29	30"oven bottom heat element	C30R05-091200	1
30	30"oil baffle plate-X04	C30X04-215102	1
31	fan cover	G20H08-091701	1
32	lamp G36X03	G36X03-180100	2
33	cavity blue enameled back plate C48R05	C48R05-070300	1
34	thermo-sensor fixed board	G20A01-031100	1
35	30" cavity back plate glass wool	G30X03-072900	1
36	30" cavity back insulation plate-DF	C30R03-072200	1
37	ignition support (3) G36R03	G36R03-212300	1
38	ignition support (2) G48R03	G48R03-212300	1
39	ignition 1 to 1	G36R03-170101	5
40	chimney outer plate C36R03	C36R03-074200	1
41	chimney inside plate C36R03	C36R03-074100	1
42	chimney fixed support C36R03	C36R03-074300	3
43	back ventilation part	C30R04-075600	1
44	glass wool for fan G36X03	G36X03-072800	1
45	fan baffle plate	C36A01-073100	1
46	safety valve big support	G36X03-076600	1
47	fan motor-1	G20A01-091501	1
48	regulator G36X03	G36X03-034000	1
49	pressure adjustable valve fixed support G36X03	G36X03-034500	1
50	cavity back gas manifold-1 G36X03	G36X03-030801	1
51	3/4" corrugated pipe 170mm G36X03	G36X03-215300	1

52	power cord terminal E20F01	E20F01-106400	1
53	power cord #14	G20A14-160100	1
54	bottom fixed plate for baffle plate	C30R05-072400	1
55	30" baffle plate-DF C30X03	C30X03-072001	1
56	anti-tip support X01 series G36X01	G36X01-212501	1
57	anti-wall rubber mat G36X03	G36X03-212600	2
58	side rack protect cover G36X03	G36X03-073900	8
59	cavity top right side blue enameled plate G36X04	G36X04-070508	1
60	right outside plate inside component	G36R43-071101-Z	1
61	right outside plate G30R45	G30R45-071001	1
62	cavity down heat element ground support	C36X04-080700	1
63	drawer insulation plate C30X04	C30X04-072100	1
64	bottom plate G30R43	G30R43-071800	1
65	rotate axis coat G48R43	G48R43-002200	2
66	French door gasket	G36R43-002300	2
67	adjustable bottom base	G36R43-002100	2
68	bottom rotate fixed part left G36R43	G36R43-032000-Z	1
69	bottom rotate fixed part right G36R43	G36R43-032001-Z	1
70			
71	door downside connection plate	G30R43-985600-02	1
72	drawer fixed plate G30R45	G30R45-120200	2
73	leg round fixed screw	BZ-0000000912	4
74	oven leg G60R05	G60R05-071500	4
75	back left/right foot fixed part	G48R04-071811	2
76	front left/right foot fixed part	G48R04-071813	2
77	slide rail L X01 series G36X01	G36X01-120700	2
78	slide rail R X01 series G36X01	G36X01-120701	2
79	rack G30R05	G30R05-071902	2
80	side rack X01 series G36X01	G36X01-073800	2
81	cavity down side plate G36X03	G36X03-070400	2
82	cavity top left side blue enameled plate G36X04	G36X04-070509	1
83	cavity top left glass wool G36X03	G36X03-073300	2
84	left outside plate inside component	G36R43-071100-Z	1
85	screw for anti-tip step G36X03	G36X03-111000	1
86	left outside plate G30R45	G30R45-071000	1
87	back heat element C20A01	C20A01-091602	1
88	broil heat element (inside+outside) C36R05	C36R05-091000	1
89	heat element cushion plate-1 C36X04	C36X04-080600	1
90	30" front panel strip	G30X03-214500	1
91	30" cavity top plate component-R05	C30R05-070600-Z	1
92	30" cavity bottom plate glass wool-X01	G30X01-036000	2
93	30" cavity structure frame glass wool	G30X03-070800	1
94	cavity insulation plate C30R43	C30R43-074500	1
95	heat dissipation wind board support	C30R43-075200	1
96	heat dissipation wind board	C30R43-075000	1
97	Right side plate for wind board C30R05	C30R05-075100	1
98	Left side plate for wind board C30R05	C30R05-075200	1
99	Thermo-controller 140°C	E24F01-076200	1
100	Thermo-controller 50°C	C36R05-076200	1
101	cooling fan fixed support C36X04	C36X04-075400	2
102	cooling fan C36R05	C36R05-200900	1
103	fan heat insulation cover C36X04	C36X04-075300	1
104	harness C30R45	C30R45-180300	1
105	plastic wire hook	G36R03-160200	4
106	knob for oven temperature setting C36R05	C36R05-030101	1

107	knob for oven function-R05	C36R05-030105	1
108	knob for single gas outlet G36R04	G36R04-030100	4
109	knob for double gas outlets G36R04	G36R04-030101	1
110	knob ring for thermostat G36R04	G36R04-030201	2
111	knob ring for main gas valve G36R04	G36R04-030202	5
112	knob shining PCB G36R04	G36R04-031000	7
113	Round press button G36R45	G36R45-170200	1
114	LED light switch plug G36X04	G36X04-171000	1
115	Round press button G36R43	G36R43-170200	1
116	red indicator G36X03	G36X03-031000-7	1
117	door top connection plate	G30R43-022300-02	1
118	Copper bush G36R43	G36R43-130100	2
119	pressing plate G36R43	G36R43-057600	2
120	chain with screw component	G36R43-110001	1
121	red LED light G36X04	G36X04-031000-7	7
122	control panel C30R45	C30R45-032300-Z	1
123	cavity thermostat installation support component	C30R44-030500-Z	1
124			
125	cooktop front support G30R43	G30R43-022100	1
126	Cooktop valve 0.68+0.27 C36R04	C36R04-030400	1
127	Cooktop valve 0.62 G48R07	G48R07-030401	2
128	Cooktop valve 0.68 G48R07	G48R07-030403	2
129	control panel main gas pipe C30R45	C30R45-030700	1
130	R/R Al.pipe G36R03	G36R03-020400	2
131	36"R/F support Al. pipe G36R03	G36R03-020600	1
132	30"M/F support Al. pipe G30R05	G30R05-020300	1
133	30"M/R main Al. pipe G30R05	G30R05-020200	1
134	30"R/F Al. pipe C30R03	C30R03-020600	1
135	thermo-control component switch C36R05	C36R05-030900	1
136	switch 5+0 C36R05	C36R05-170800	1
137	burner support C36R03	C36R03-170600	2
138	15,000btu burner component	G36R03-040101	2
139		G36R03-040102	2
140		G36R03-040103	2
141	20,000btu burner component	G36R03-040301	1
142		G36R03-040302	1
143		G36R03-040203	1
144		G36R03-040204	1
145	top burner spark plug 700mm G36R04	G36R04-170501	1
146	36"top burner support	G36R03-170600	1
147	9,000btu burner component	G36R03-040001	2
148		G36R03-040002	2
149		G36R03-040003	2
150	top burner spark plug 380mm G36R03	G36R03-170500	2
151	top burner spark plug 660mm G36R03	G36R03-170501	2
152	spark plug clamp	G20A01-170600	4
153	30" cooktop back support	G30X03-022000	1
154	30" cooktop plate-1	G30R05-020100	1
155	30" cast iron grates	G30R04-021500	2
156	pan support G48R03	G48R03-021400	1
157	30" cooktop back connection plate	G30R04-073600	1
158	30" backsplash component	G30R04-011500-Z	1
159	backsplash bolt G36X03	G36X03-110800	2
160	LED light transformer G36R04	G36R04-180305	1
161	wires for LED light transformer G36R45	G36R45-180301	1

162	30" wires for LED light-R05	C30R05-180302	1
163	wires for knob LED light	C30R45-180303	1
164	control panel top support left	G30R43-071500	1
165	control panel top support right	G30R43-071501	1
166	cooktop front support part G36R43 left	G30R44-022200	1
167	cooktop front support part G36R43 right	G30R44-022201	1
168	pressing plate for copper bush	G30R43-057600	2
169	door seal bar G36R43	G36R43-071200	1
170	door outer glass black pressing plate G36R43	G30R45-101400-02	4
	door outside glass L shape fixed part	G36R03-101200	6
	door outside glass straight fixed part	G36R03-101300	10
	Rotary gasket	G36R43-002400	2
	flat gasket	BZ-0000001606	8
	plastic rivets	G36R03-232902	14
	griddle + air fry kits		

GUARANTEED PARTS

